

PCB LAYOYT

SPECIFICATION

Electrical :

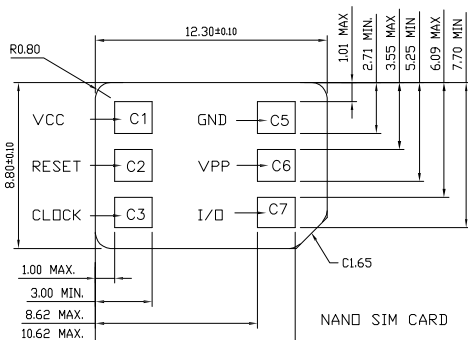
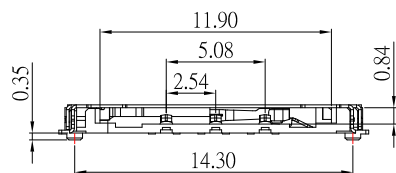
1. Rating: 0.5A , 50V
- 2.Contact Resistance: 100 mΩ Max.
- 3.Insulation Resistance: 1000 MΩ Min.
- 4.Dielectec Withstanding Voltage: 250 V AC

Material:

- 1.Housing: LCP , Black
- 2.Contact: Phosphor Bronze
- 3.Shell: SUS

Finish:

- 1.Contact: Plated Gold in Mating Area ;
Gold Plated on Solder Balls ;
Nickel under plated overall
- 2.Shell: Nickel under Plated surface layer



10	新增尺寸	Jack	081123
9	更新料號	Jack	060923
8	新增尺寸	Jack	032123
7	更新尺寸	Jack	031523
6	更新圖面	Jack	070822
5	新增材質標示	Jack	041521
4	新增PCB LAYOUT外型框	Jack	033021
3	更新圖面尺寸及新增尺寸	Jack	032921
2	新增PCB LAYOUT標示PIN名稱	Jack	032621
1	新增卡托位置	Jack	082318
ITEM NO.	DESCRIPTION	DRAWN	DATE



TOLERANCE UNLESS OTHERWISE STATED :

Up to 5 ±0.2
Above 5 ~ 15 ±0.3
Above 15 ~ 30 ±0.4
Above 30 ~ 50 ±0.5
Angle ±0.3

3RD. ANGEL'S



UNITS MM

DRAWN BY:	DATE	MATERIAL	TITLE	CONNECTOR
Jack Lu	08/11/23		MODLE	NANO SIM卡托款帶開關 帶偵測PIN
CHECKED BY:	DATE	FINISH	SCALE	1 : 1
Jacky Chen	08/11/23		DWG NO.	NSIM-060562-S267
APPROVED BY:	DATE	SHEET NO.	PART NO.	NSIM-060562-S267
Tony Kao	08/11/23	1 of 1		

SIZE A4
VER R10